

# MERRIDALE®

## AUDITOR GR

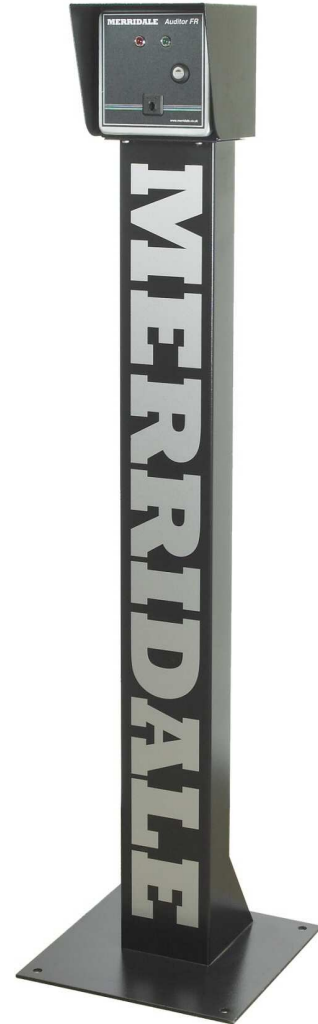
Access control /  
vehicle wash controller



FUELWORKS

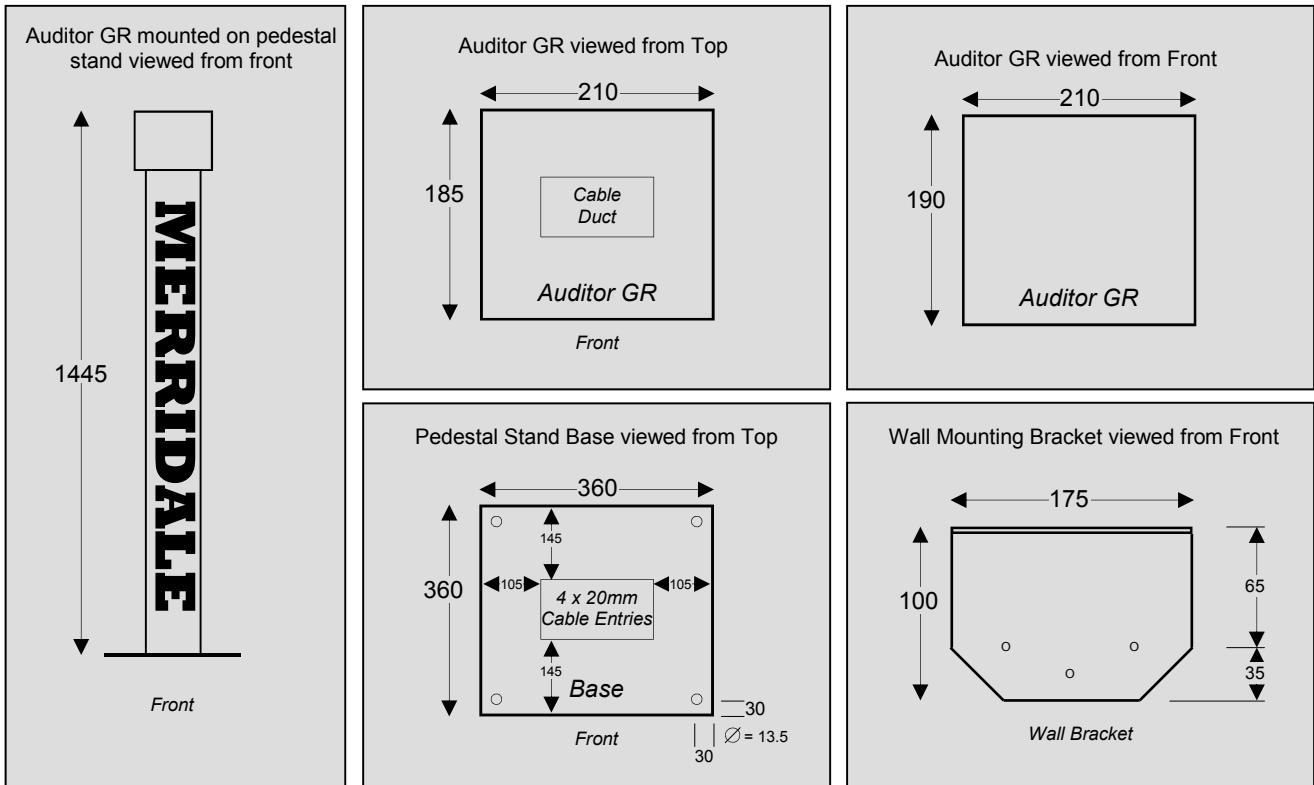
Features

- Remote datakey reader
- Controls barrier or gate access, or vehicle wash facilities
- Can operate as a standalone terminal
- Can link to a Merridale Auditor GX or GS fuel management system for full logging and reporting



Fuel Management  
One Solution  
[www.merridale.co.uk](http://www.merridale.co.uk)

# Installation Specification



## Cable Specifications

Data cable	Number of Cores: 4	Screen: Overall Tinned Copper Braid	Max Current per Core: 1A
	Core Size: 0.22mm <sup>2</sup>	Outer Sheath: Grey PVC	Core/Screen Capacitance: 160pF/m
	Core Type: 7 Strand Tinned Copper	Max Working v: 440v	Resistance per Core: 88 Ω/m
	Core Insulation: 0.25mm PVC		

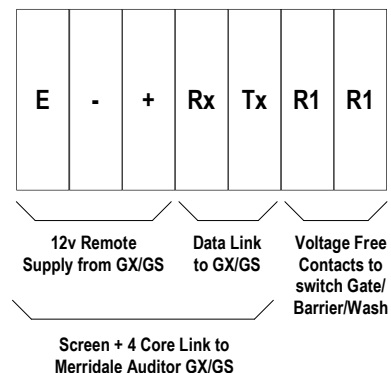
## Electrical Specification & Connections

Voltage	12VDC
---------	-------

### Auditor GR Operation

To operate the gate, barrier or wash, insert a key and turn. If the key is valid, the green LED will illuminate and the relay will turn on for a pre-configured amount of time. After this time, the green LED will go out and relay will turn off. If the key is still in, the red LED will flash, indicating Remove Key.

If the key is not valid for any reason, the green LED will not illuminate and the red LED will flash, indicating Remove Key.



DS1008-4-0316

# MERRIDALE®

## MIS FUEL MONITORING LTD

Merridale Works, Lower Walsall Street, Horseley Fields, Wolverhampton, WV1 2EU, UK

Sales Tel: +44 (0)1902 350700

Sales Fax: +44 (0)1902 350715

Sales Email: sales@merridale.co.uk

Web: www.merridale.co.uk

Service Tel: +44 (0)1902 350701

Service Fax: +44 (0)1902 871661

Service Email: service@merridale.co.uk

**Fuel Management**  
**One Solution**  
www.merridale.co.uk