

**NEW**

# MERRIDALE®

Advance  
Information

## MX Tank Gauge

- Electronic tank gauge
- Stainless-steel enclosure
- ATEX compliant



**MERRIDALE**

MX-T

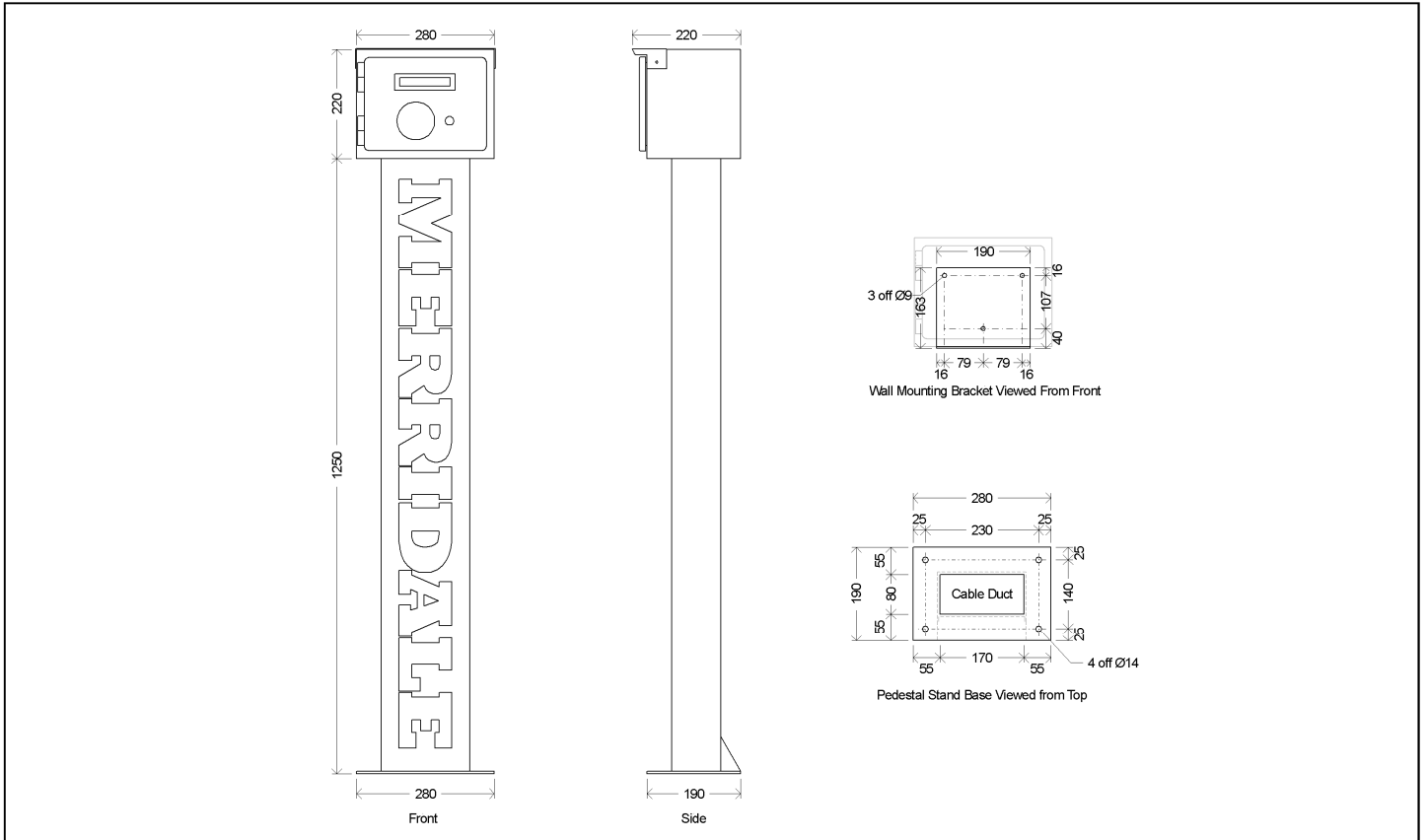
### Features

- Monitor the stock in up to three tanks simultaneously
- Continuous on-screen display of stock levels and ullage
- Automatic delivery detection
- Automatic fuel drop detection
- Optional bund and overfill alarm with audible and visual alert
- Integrates with the Merridale Auditor and Merridale MX systems
- Daily dips and deliveries are automatically transferred to Merridale FuelWorks or FuelFX fuel management software
- Allows full reconciliation of fuel dispensed with tank stock levels



Fuel Management  
**One Solution**  
www.merridale.co.uk

# Installation Specification (Diesel/Gasoil Installations only)

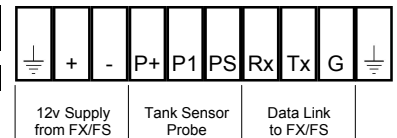


## Cable Specifications

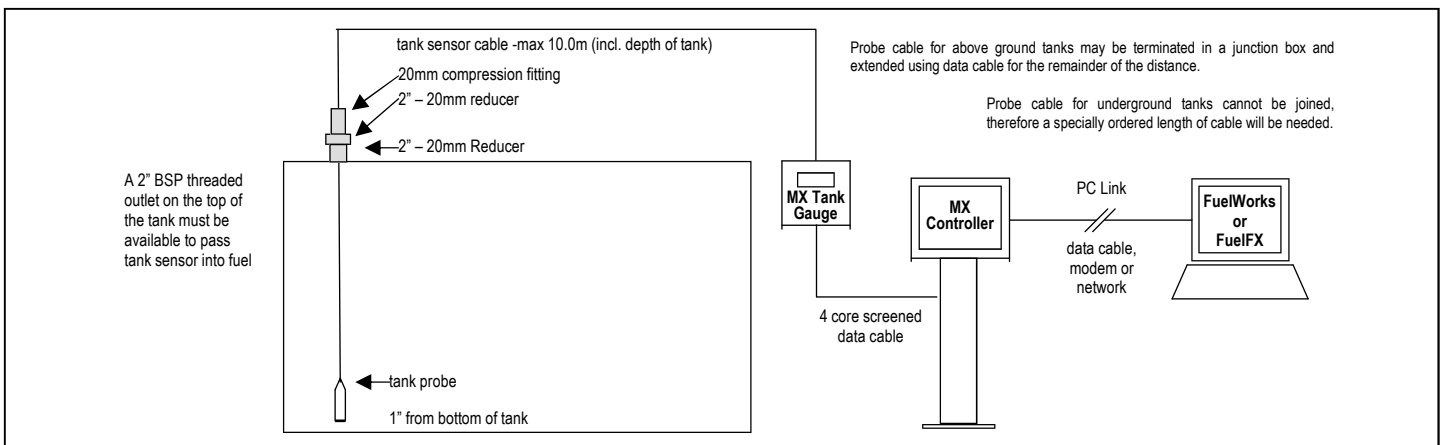
Data cable	Number of Cores:	4	Screen:	Overall Tinned Copper Braid	Max Current per Core:	1A
	Core Size:	0.22mm <sup>2</sup>	Outer Sheath:	Grey PVC	Core/Screen Capacitance:	160pF/m
	Core Type:	7 Strand Tinned Copper	Max Working v:	440v	Resistance per Core:	88 Ω/m
	Core Insulation:	0.25mm PVC				

## Electrical Specification & Connections

Voltage	12VDC
---------	-------



## Installation



DS1044-1-0417

# MERRIDALE®

## MIS FUEL MONITORING LTD

Merridale Works, Lower Walsall Street, Horseley Fields, Wolverhampton, WV1 2EU, UK

Sales Tel: +44 (0)1902 350700

Sales Fax: +44 (0)1902 350715

Sales Email: sales@merridale.co.uk

Web: www.merridale.co.uk

Service Tel: +44 (0)1902 350701

Service Fax: +44 (0)1902 871661

Service Email: service@merridale.co.uk

**Fuel Management**  
**One Solution**

www.merridale.co.uk