

MERRIDALE[®]

vLink

A rugged snap-on, quick release communications cable to automatically authenticate the vehicle being fuelled.



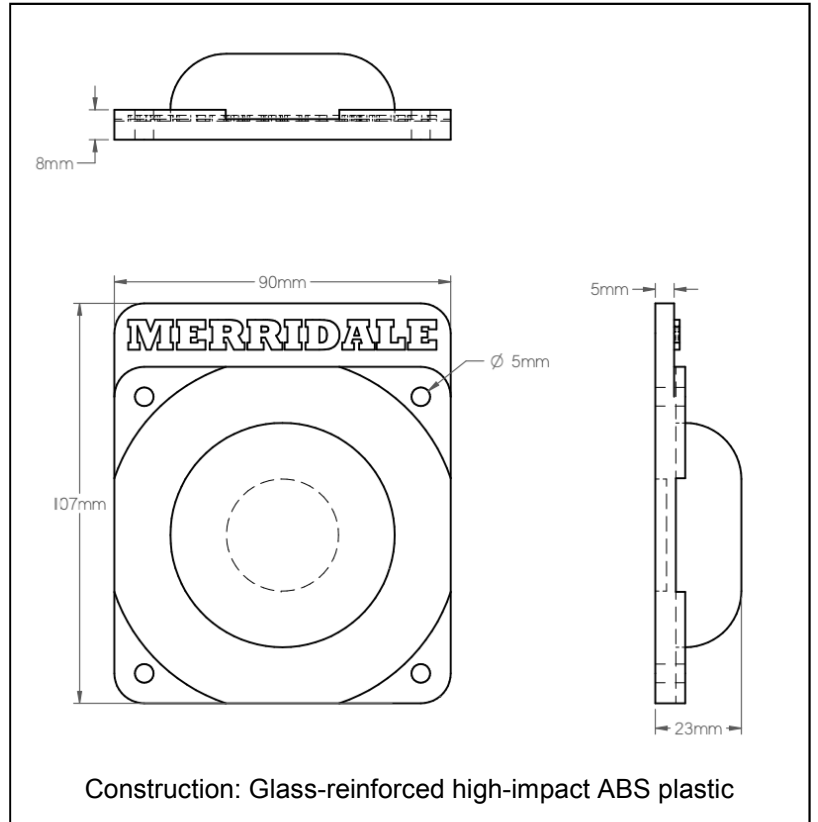
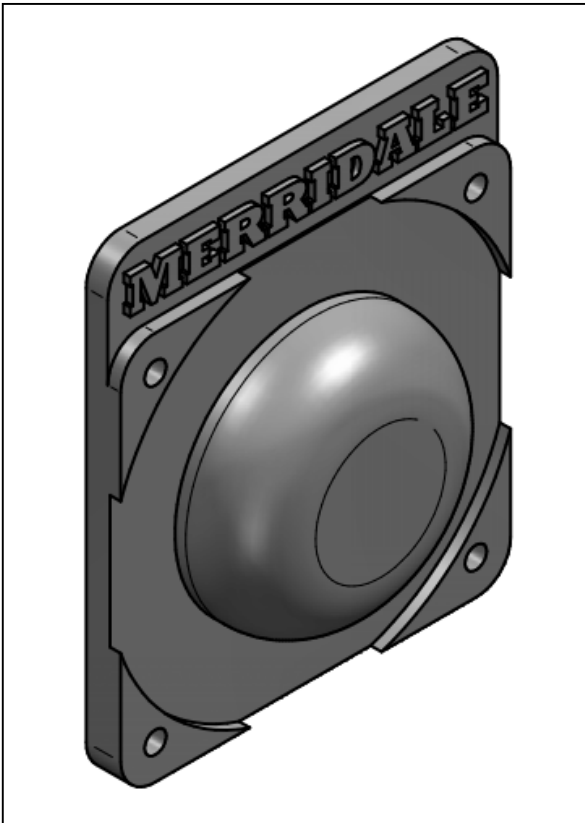
vLink

Features

- Reliable vehicle identification
- Snap on, quick release
- Contactless data transfer
- Robust and tamper-proof
- Easy to retro-fit
- Long-reach umbilical cable
- Can be used in conjunction with datakeys or datatags

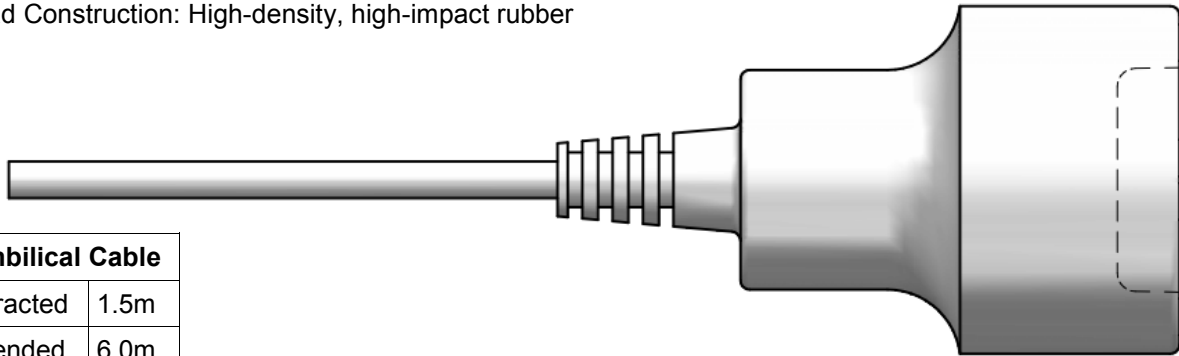
Fuel Management
One Solution
www.merridale.co.uk

vLink Contact Plate



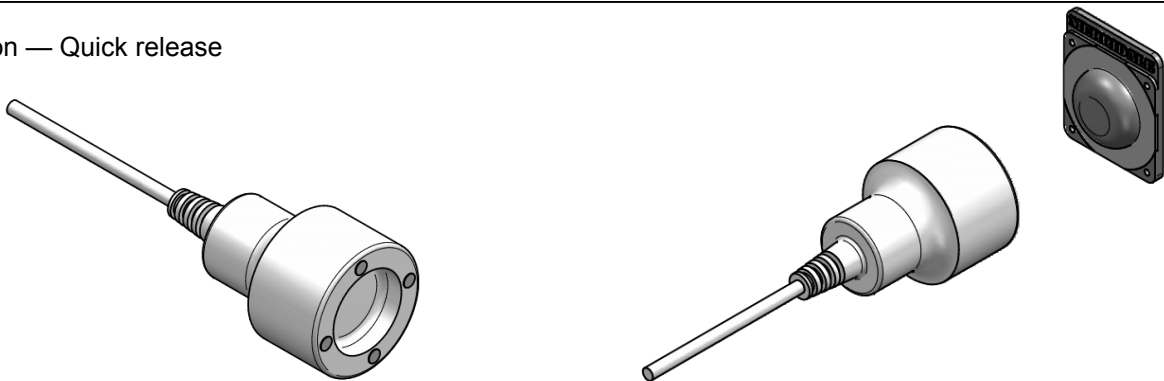
vLink Reader

Head Construction: High-density, high-impact rubber



Umbilical Cable	
Retracted	1.5m
Extended	6.0m

Snap-on — Quick release



DS1034-3-1018

MERRIDALE LTD

Merridale Works • Lower Walsall Street • Horseley Fields • Wolverhampton • WV1 2EU • UK

Sales
+44 (0)1902 350700
sales@merridale.co.uk

Service
+44 (0)1902 350701
service@merridale.co.uk

MERRIDALE®
Fuel Management
One Solution
www.merridale.co.uk